

Stock Code: **20110LEDDMG-SAT/ACR**

Collection: Margate

### PRODUCT INFORMATION

Base: 20110 Parent: 20110LEDD  
Mounting Type: Wall UPC: 641594236620  
Finish: Satin  
Diffuser: Acrylic Lens

### PRODUCT MEASUREMENTS

| FIXTURE         | BACKPLATE / CANOPY |
|-----------------|--------------------|
| Length:         | Length             |
| Width: 5"       | Width: 5"          |
| Diameter        | Diameter:          |
| Height: 10.25"  | Height: 10.25"     |
| Extension: 4.5" |                    |
| Overall Height: |                    |

### TECHNICAL SPECIFICATIONS

#### SPECIFICATIONS

Frame Material: Steel  
Diffuser Material: Acrylic  
Lamping Type: SSL (Dedicated LED) Jbox: Standard  
Lamping Base: SSL Lamp Wattage: 12 W  
Lamp Quantity: 1 Total Wattage: 12 W  
Voltage: 120v Lamps Included: Yes

#### QUALIFICATIONS

Location Rating Wet  
Certification: UL (US/Canada) Listed  
ADA Compliant: No Energy Star: No  
JA8 Compliant: Outdoor Only Emergency Lighting: No  
Marine Grade Finish: Yes  
Warranty: 5 Year

#### PHOTOMETRICS

Dimmable: Yes Nominal Lumens 1200 Lm  
CRI: 90 Delivered Lumens: 580 Lm  
CCT: 3000K  
Recommended Dimmers:  
(TRIAC)LEVITON Decora Sureslide 6674; (TRIAC)LUTRON Skylark CL SCL-153 or SCL-153P; (TRIAC)LUTRON Diva DVCL-153P; (ELV)LEVITON Decora DSE06-10Z; (ELV)LUTRON Maestro MAELV-600

#### ADDITIONAL NOTES

Custom Finish 5 Piece Minimum Order Quantity; Optional Color  
Temperature 100 Piece Minimum Order Quantity

Project Name: \_\_\_\_\_

Location: \_\_\_\_\_

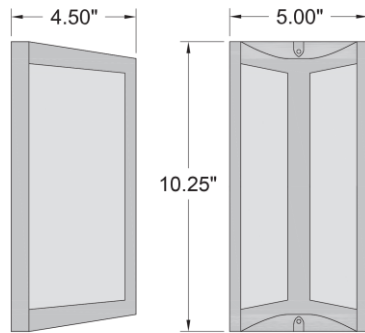
Type: \_\_\_\_\_

Quantity: \_\_\_\_\_

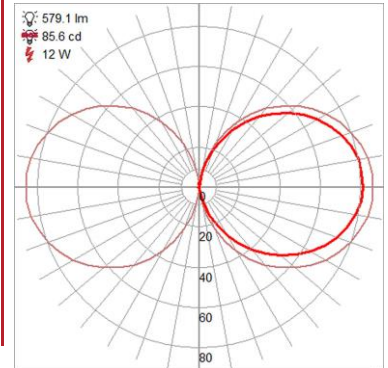
Notes: \_\_\_\_\_



#### LINE DRAWING



#### IES FILE



In addition to Access Lighting's purchase and warranty terms and conditions, by signing below or placing an order, you agree that you are authorized to bind the entity placing any order and acknowledge the following: All of sizes and measurements are approximate and all images are for illustrative purposes only. In the event of an inconsistency, the "Product Measurements" section controls. There also may be slight differences in the colors and designs compared to the displayed and printed images.

Signature: \_\_\_\_\_

Print Name \_\_\_\_\_ Date: \_\_\_\_\_

Toll Free 800-828-5483 [www.AccessLighting.com](http://www.AccessLighting.com)

14410 Myford Road, Irvine, CA 92606

The information is subject to change without notice. 12/22/2022 20110LEDDMG-SAT\_ACR.pdf

